

Corretto ordine assemblaggio parti kit 56T00214
 Correct assembling order kit 56T00214

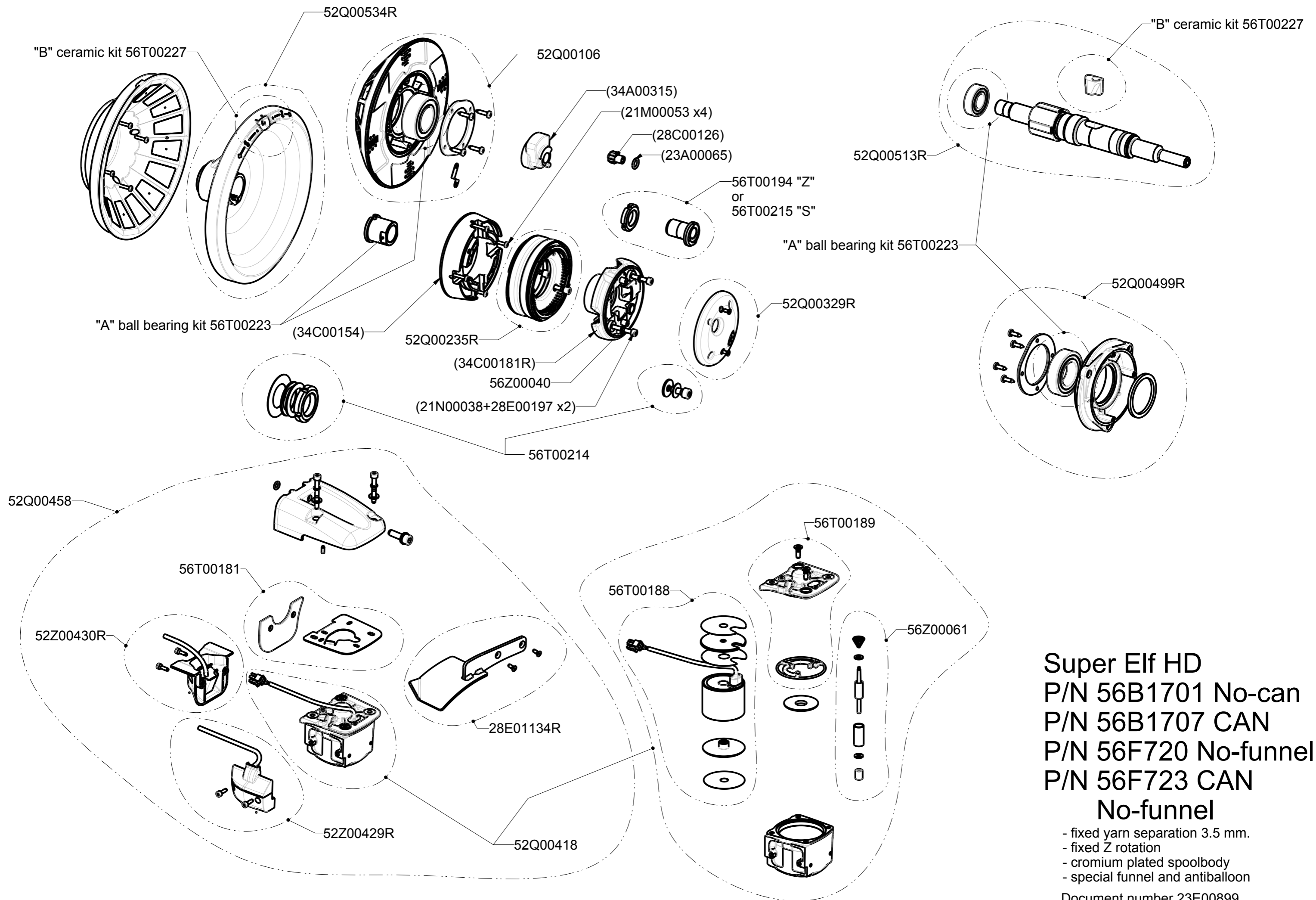
56B1707	56T00184	05R01205
56B1701	56T00183	05R01193
<i>Feeder P/N</i>	<i>P/N Circuit board kit</i>	<i>P/N Power Cable</i>

Corretto assemblaggio del gruppo 52Q00106
 Correct fitting order 52Q00106 group

Super Elf HD
P/N 56B1701 No-can
P/N 56B1707 CAN
P/N 56F720 No-funnel
P/N 56F723 CAN
No-funnel

- fixed yarn separation 3.5 mm.
- fixed Z rotation
- cromium plated spoolbody
- special funnel and antiballoon

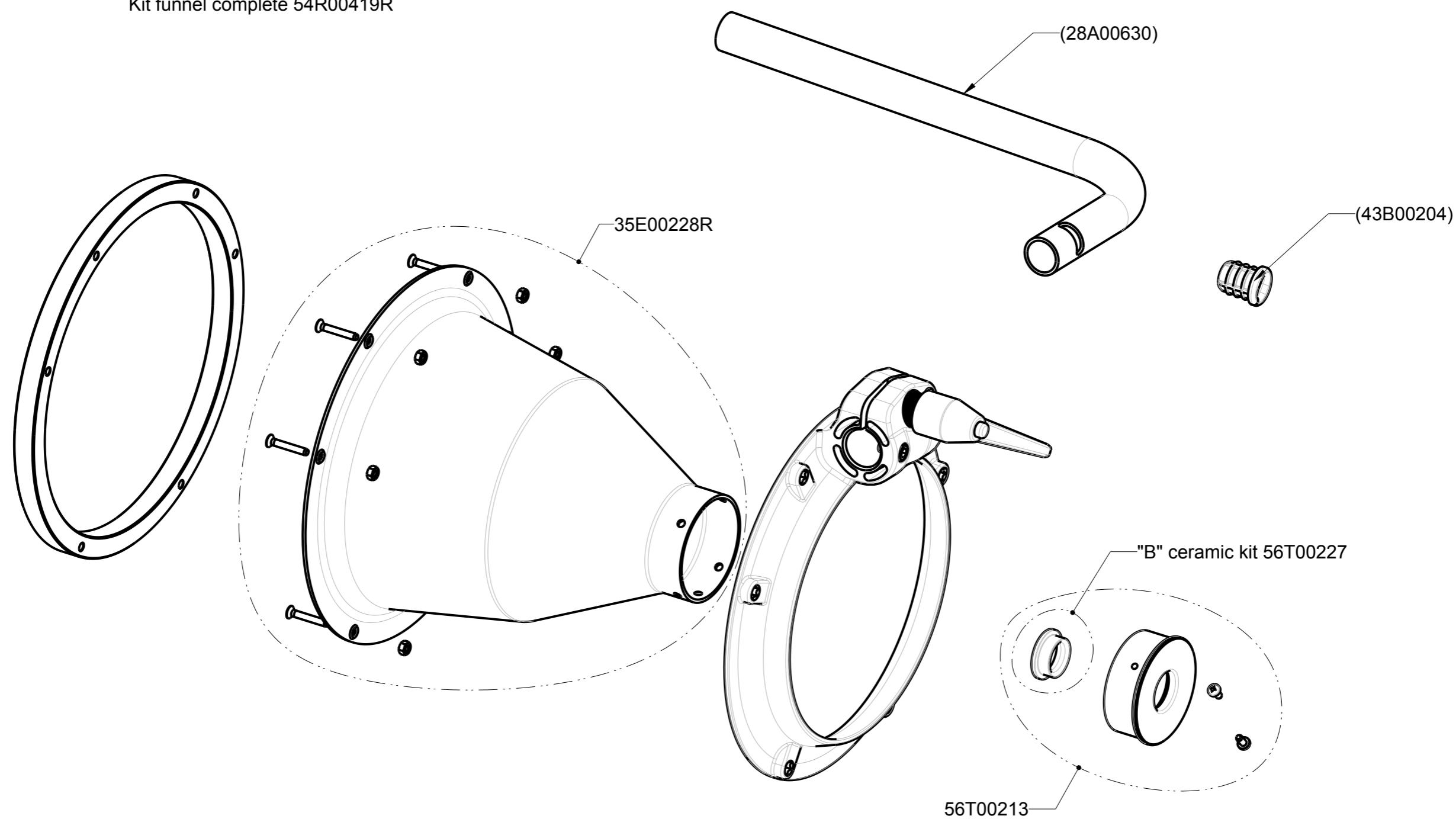
Document number 23E00899
 Draw number : 023553d09



Super Elf HD
P/N 56B1701 No-can
P/N 56B1707 CAN
P/N 56F720 No-funnel
P/N 56F723 CAN
No-funnel

- fixed yarn separation 3.5 mm.
- fixed Z rotation
- cromium plated spoolbody
- special funnel and antiballoon

Kit funnel complete 54R00419R



Super Elf HD
P/N 56B1701 No-can
P/N 56B1707 CAN

- fixed yarn separation 3.5 mm.
- fixed Z rotation
- cromium plated spoolbody
- special funnel and antiballoon

Document number 23E00899
Draw number : 023553d09