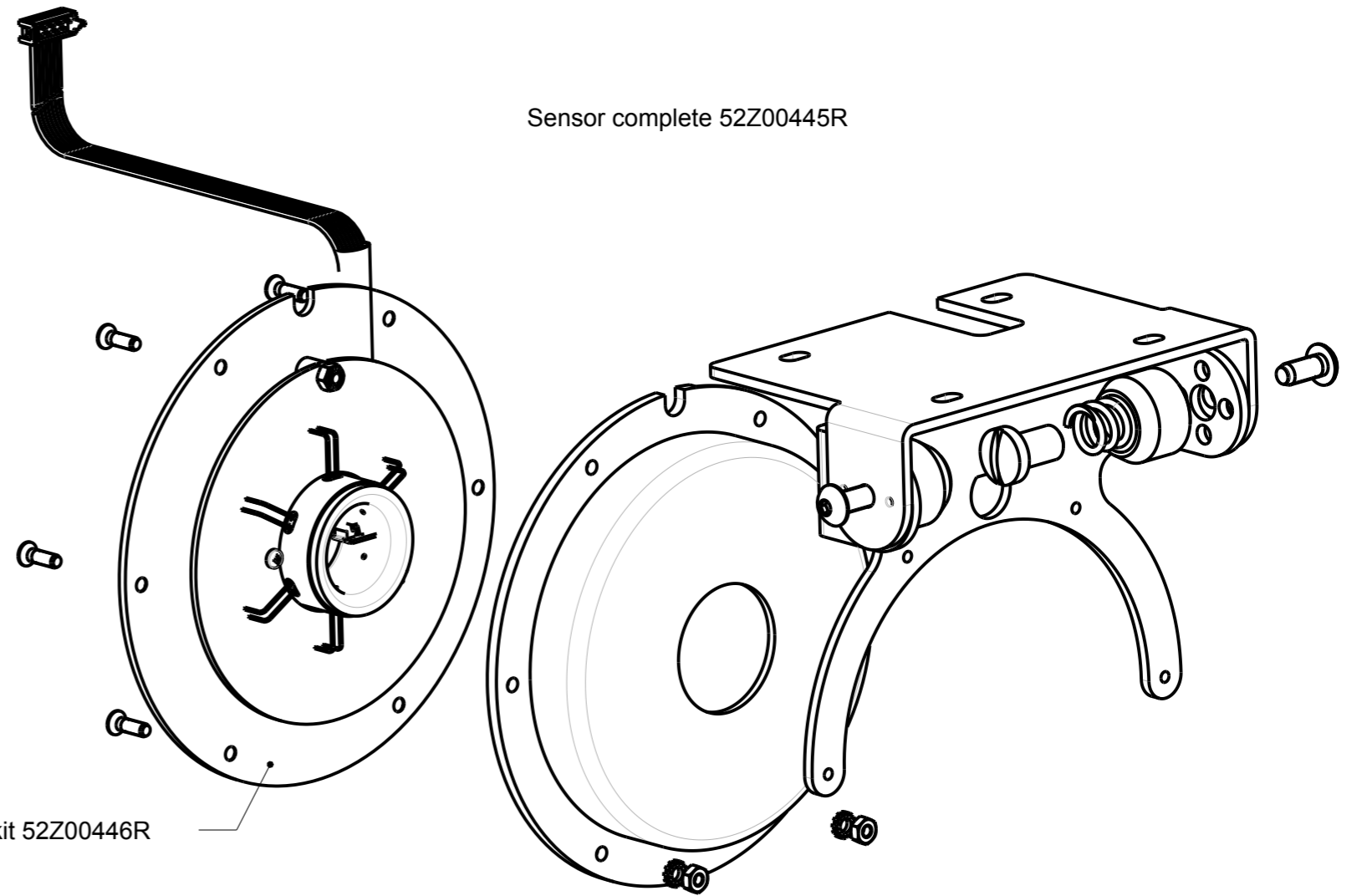

 Only for P/N 56F00492 version  
 Speed switch kit P/N 24.0719

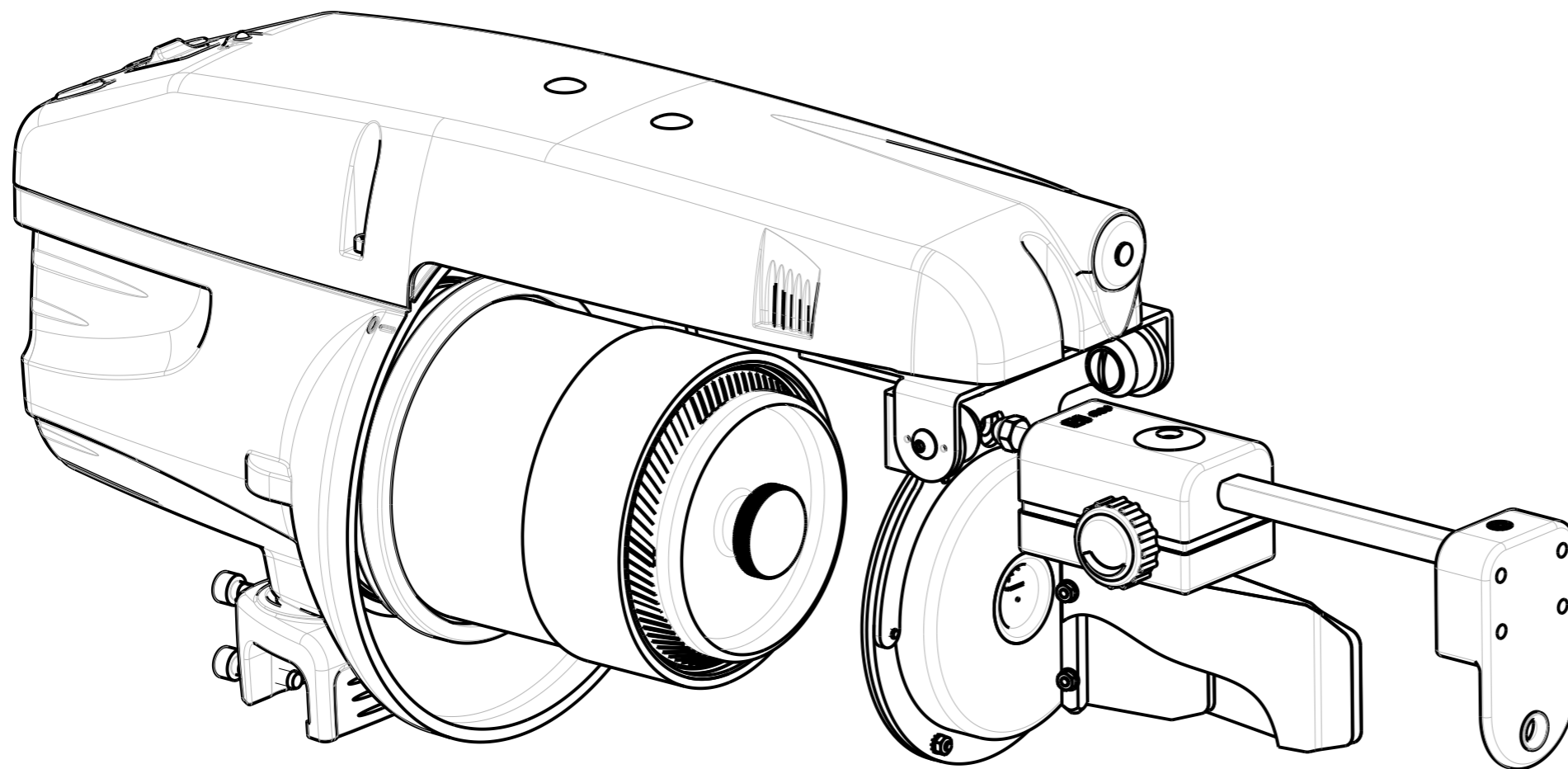
**Low Twist X3**  
**P/N 56F00490**  
**P/N 56F00492**

Document number : 23E00914  
 Drawing number : 024002d02

Sensor complete 52Z00445R



Sensor board kit 52Z00446R



Low Twist X3  
P/N 56F00490  
P/N 56F00492

Document number : 23E00914  
Drawing number : 024002d02