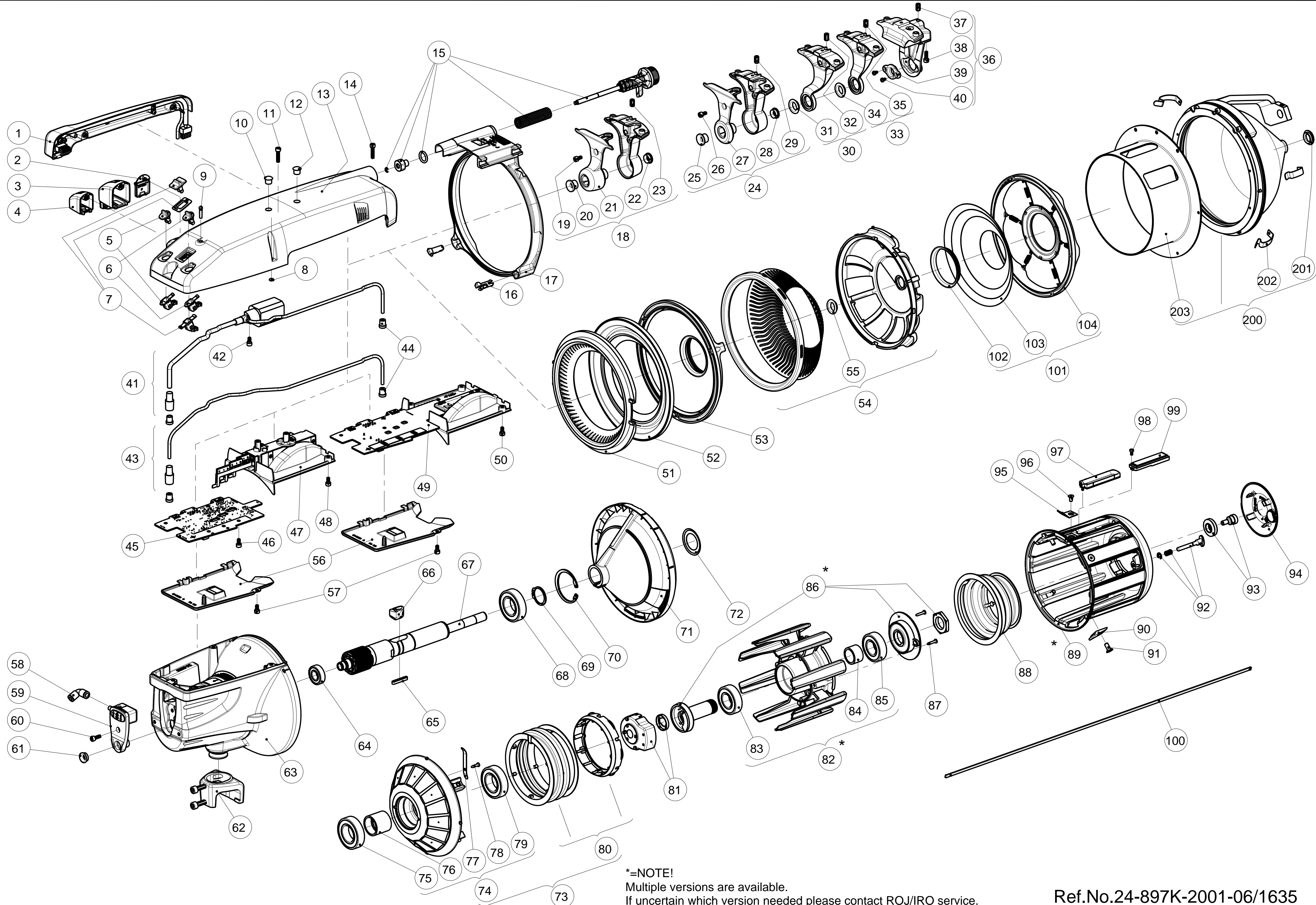


# 8024/8124 XD X3 - Exploded view



\*=NOTE!  
 Multiple versions are available.  
 If uncertain which version needed please contact ROJ/IRO service.



Parts specific only to one model are identified with □ in the valid column.  
XD X3 Optical sensor = O.  
XD X3 Mechanical sensor = M.  
Unmarked positions are common to both feeder models.

POS	PART NO	DESCRIPTION	O	M	REMARKS
1	24.0652.001	CABLE CHANNEL Complete			
2	24.0611	CABLE COVER			
3	24.0803.1750	CONNECTION CABLE			
3	24.0803.3000	CONNECTION CABLE			Not valid for CAN communication
3	24.0803.5000	CONNECTION CABLE			Not valid for CAN communication
4	24.0653	CABLE COVER ACCESSORIES			
5	24.0720	S/Z SWITCH assembly kit			
6	24.0719	MAX/MIN SWITCH assembly kit		□	
7	24.0721	ON/OFF SWITCH assembly kit			
8	900.9355	O-RING			
9	28.0041	LIGHT GUIDE			
10	900.9375	PLUG	□		
11	900.0260	SCREW			
12	900.9375	PLUG	□		
13	24.0561.000L	TOP COVER	□		
13	24.0561.001L	TOP COVER		□	
14	900.0495	SCREW			
15	24.0718	QUICK RELEASE assembly kit			
16	24.0605	SNAP IN CAGE			
17	24.0635.001	BRUSH HOLDER Complete			Full threading
17	24.0635.002	BRUSH HOLDER complete			Half threading and non-threading
18	24.0590.001L	NOSE 30° Complete			Full threading
18	24.0590.002L	NOSE 30° Complete Polished eyelet			Full threading
19	900.0117	SCREW			
20	24.0591.001	EYELET			
20	24.0591.002	EYELET Polished eyelet			
21	24.0648.001	NOSE 30° COVER			Full threading
21	24.0648.002	NOSE 30° COVER Polished eyelet			Full threading
22	900.6163.001	EYELET			
22	900.6163.003	EYELET Polished eyelet			
23	900.0495	SCREW			
24	24.0590.004L	NOSE 42° Complete Polished			Full threading
25	24.0591.001	EYELET			
25	24.0591.002	EYELET Polished eyelet			
26	900.0117	SCREW			
27	24.0649.001	NOSE 42° COVER			Full threading
27	24.0649.002	NOSE 42° COVER Polished eyelet			Full threading
28	900.6163.001	EYELET			
28	900.6163.003	EYELET Polished			
29	900.0495	SCREW			
30	24.0735.001L	NOSE 30°			Half and non-threading
30	24.0735.002L	NOSE 30° Polished eyelet			Half and non-threading
31	27.0479.001	EYELET			Half and non-threading
31	27.0479.002	EYELET Polished			Half and non-threading
32	900.0495	SCREW			
33	24.0585.001L	NOSE 42°			Half and non-threading
33	24.0585.002L	NOSE 42° Polished eyelet			Half and non-threading
34	27.0479.001	EYELET			Half and non-threading
34	27.0479.002	EYELET Polished			Half and non-threading
35	900.0495	SCREW			
36	24.0392.010L	NOSE 55°			
36	24.0392.011I	NOSE 55° Polished eyelet			
37	900.0495	SCREW			
38	900.0218	SCREW			
39	27.0887.001	EYELET			



Parts specific only to one model are identified with □ in the valid column.  
XD X3 Optical sensor = O.  
XD X3 Mechanical sensor = M.  
Unmarked positions are common to both feeder models.

POS	PART NO	DESCRIPTION	O	M	REMARKS
39	27.0887.002	EYELET Polished			
40	900.0603	SCREW			
41	24.0668	CYLINDER COMPLETE with air tube			For full threading brush ring push by air
42	900.0117	SCREW			
43	24.0709	AIR TUBE WITH RUBBER NIPPLE			For full threading with quick release open
44	27.0817	RUBBER NIPPLE			
45	09E00681R0	MOTOR CIRCUIT BOARD		□	Stand alone
45	09E00681R1	MOTOR CIRCUIT BOARD		□	Promatech
45	09E00681R2	MOTOR CIRCUIT BOARD		□	Picanol
45	09E00681R3	MOTOR CIRCUIT BOARD		□	Dornier
45	09E00681R4	MOTOR CIRCUIT BOARD		□	Sultex
45	09E00681R5	MOTOR CIRCUIT BOARD		□	Van de Wiele
45	09E00681R6	MOTOR CIRCUIT BOARD		□	Smit
46	900.0117	SCREW			
47	24.0599.001	SENSOR COMPLETE		□	
47	24.0599.002	SENSOR COMPLETE Plastma coated		□	
48	900.0117	SCREW		□	
49	09E00680R00	MOTOR CIRCUIT BOARD incl. sensor	□		Wira, Stand alone
49	09E00680R10	MOTOR CIRCUIT BOARD incl. sensor	□		Promatech
49	09E00680R20	MOTOR CIRCUIT BOARD incl. sensor	□		Picanol
49	09E00680R30	MOTOR CIRCUIT BOARD incl. sensor	□		Dornier
49	09E00680R40	MOTOR CIRCUIT BOARD incl. sensor	□		Sultex
49	09E00680R50	MOTOR CIRCUIT BOARD incl. sensor	□		Van de Wiele
49	09E00680R60	MOTOR CIRCUIT BOARD incl. sensor	□		Smit
50	900.0117	SCREW		□	
51	24.0261.001	BRUSH SOFT, natural, z-rotation			
51	24.0261.201	BRUSH SOFT, natural, straight			
51	54T00774	BRUSH MEDIUM, natural, z-rotation			
51	54T00775	BRUSH MEDIUM, natural, s-rotation			
51	54T00773	BRUSH MEDIUM, natural, straight			
51	24.0261.004	BRUSH MEDIUM, synthetic, z-rotation			
51	24.0261.104	BRUSH MEDIUM, synthetic, s-rotation			
51	24.0261.204	BRUSH MEDIUM, synthetic, straight			
51	24.0261.005	BRUSH STIFF, synthetic, z-rotation			
51	24.0261.105	BRUSH STIFF, synthetic, s-rotation			
51	24.0261.205	BRUSH STIFF, synthetic, straight			
51	54T00783	BRUSH X-STIFF, synthetic, z-rotation			
51	54T00784	BRUSH X-STIFF, synthetic, s-rotation			
51	54T00782	BRUSH X-STIFF, synthetic, straight			
51	24.0261.007	BRUSH STIFF, synthetic, z-rotation			Recommend for fibreglass (diameter=110 mm)
51	24.0261.107	BRUSH STIFF, synthetic, s-rotation			Recommend for fibreglass (diameter=110 mm)
51	24.0261.207	BRUSH STIFF, synthetic, straight			Recommend for fibreglass (diameter=110 mm)
52	24.0252.001	E-FLEX, SOFT			(Strip only = 24.0253.001)
52	24.0252.102	E-FLEX, MEDIUM			(Strip only = 24.0253.002)
52	24.0281.003	E-FLEX, STIFF			(Strip only = 24.0253.007)
52	24.0281.103	E-FLEX, EXTRA STIFF			(Strip only = 24.0253.007)
53	54T01059	M-FLEX, Soft			
53	54T01060	M-FLEX, Medium			
53	54T01061	M-FLEX, Stiff			
54	24.0702.001	LAMELLA BRAKE Compl. soft, Z-rotation			
54	24.0702.002	LAMELLA BRAKE Compl. medium, Z-rotation			



Parts specific only to one model are identified with □ in the valid column.  
XD X3 Optical sensor = O.  
XD X3 Mechanical sensor = M.  
Unmarked positions are common to both feeder models.

POS	PART NO	DESCRIPTION	O	M	REMARKS
54	24.0702.003	LAMELLA BRAKE Compl. stiff, Z-rotation			
55	26A00057	EYELET			
56	24.0603	PROTECTION COVER			
57	900.0117	SCREW			
58	900.9296	AIR CONNECTION			
59	24.0617.001	AIR VALVE for threading			Full threading
59	24.0617.002	AIR VALVE for threading			Half threading
59	24.0617.011	AIR VALVE for threading, polished eyelet			Full threading
59	24.0617.012	AIR VALVE for threading, polished eyelet			Half threading
59	24.0633.001	COVER with eyelet			
59	24.0633.011	COVER with polished eyelet			
60	900.0218	SCREW			
61	900.6163.001	EYELET			
61	900.6163.003	EYELET polished			
62	24.0462	MOUNT COMPL.			
63	24.0592.001K	MOTOR COMPL.			
63	24.0592.002K	MOTOR COMPL. Polished rotor and eyelet			
64	900.4061	BEARING			
65	900.9314	KEY			
66	900.6166	EYELET			
66	24.0319	EYELET, polished			
67	24.0557.001	ROTOR			
67	24.0557.002	ROTOR, polished			
68	900.4065	BEARING			
69	900.9073	CIRCLIP			
70	900.9099	CIRCLIP			
71	24.0384.501	WINDING DISC COMPL.			
72	24.0384.502	WINDING DISC COMPL. Polished eyelet			
72	24.0116	WASHER			
73	24.0287	MAGNET RING COMPLETE			
74	24.0741	MAGNET RING incl. bearings			
75	900.4065	BEARING			
76	24.0058	SPACER			
77	24.0124	GROUND STRIP			
78	900.0479	SCREW			
79	900.4065	BEARING			
80	24.0726	BELLEWS COMPLETE			
81	24.0725	COUNTER WEIGHT assembly kit, Chrono X3			
82	24.0141	TUMBLING CYLINDER Complete			Plasma coated version 24.0141.001
82	24.0141.002	TUMBLING CYLINDER Complete, ONE WAY bearing			Plasma coated version ONEWAY bearing 24.0141.003
82	24.0141.004	TUMBLING CYLINDER Complete XL-sep			Plasma coated version XL-sep 24.0141.005
82	24.0141.006	TUMBLING CYLINDER Complete XL-sep ONEWAY bearing			Plasma coated version XL-sep ONEWAY bearing 24.0141.007
82	24.0141.008	TUMBLING CYLINDER Complete XL-sep sand blasted			
83	900.4064	BEARING			
84	24.0059	SPACER			
85	900.4064	BEARING			
86	24.0724.002	INCLINED assembly kit, Choro X3			
86	24.0724.003	INCLINED assembly kit ,XL-seperation, Chrono X3			
86	24.0724.004	INCLINED assembly kit, XS-seperation, Chrono X3			
87	900.0585	SCREW			
88	24.0242	BELLEWS			
89	24.0237	SPOOL BODY			
89	24.0237	SPOOL BODY			



Parts specific only to one model are identified with □ in the valid column.  
XD X3 Optical sensor = O.  
XD X3 Mechanical sensor = M.  
Unmarked positions are common to both feeder models.

POS	PART NO	DESCRIPTION	O	M	REMARKS
89	24.0237.001	SPOOL BODY Extra polished			
89	24.0237.002	SPOOL BODY Ribbed front			
89	24.0237.008	SPOOL BODY Relaxing ramp + concave			
89	24.0320	SPOOL BODY Plasma coated			
89	24.0320.001	SPOOL BODY Plasma coated + XL-seperation			
89	24.0320.002	SPOOL BODY Plasma coated + XL-seperation + relaxing ramps			
89	24.0438.005	SPOOL BODY Relaxing ramp + ribbed front			
89	24.0438.006	SPOOL BODY XL-seperation			
89	24.0438.010	SPOOL BODY Relaxing ramp + ribbed front + concave + blasting			
90	24.0695	RELAXING RAMP			
91	900.0120	SCREW			
92	24.0723	S/Z BUTTON assembling kit			
93	24.0722	WASHER PACKAGE AND SCREW, Chrono X2/X3			
94	27.0160	COVER			
95	24.0244	YARN BREAK MIRROR		□	
96	900.0327.001	SCREW		□	
97	24.0245	INSERT		□	
98	900.0426	SCREW	□		
99	24.0422	REFLECTOR COMPL.	□		
100	24.0174	THREADING NEEDLE			
101	24.699.101	S-FLEX, soft			
101	24.0699.002	S-FLEX, standard			
101	24.0699.003	S-FLEX, stiff			
102	28E01049	LOCKING RING			
103	43E00088	CONE, soft			
103	24.0727.001	CONE, standard			
103	24.0727.002	CONE, stiff			
104	24.0786.101	S-FLEX BRACKET, soft			
104	24.0786.002	S-FLEX BRACKET, standard			
104	24.0786.003	S-FLEX BRACKET, stiff			
200	56T00218	ANTIBALLOON Complete			
201	26A00058	EYLET			
202	24B00211	CLAMP FOR CONE			
203	35E00308	SWEEP			