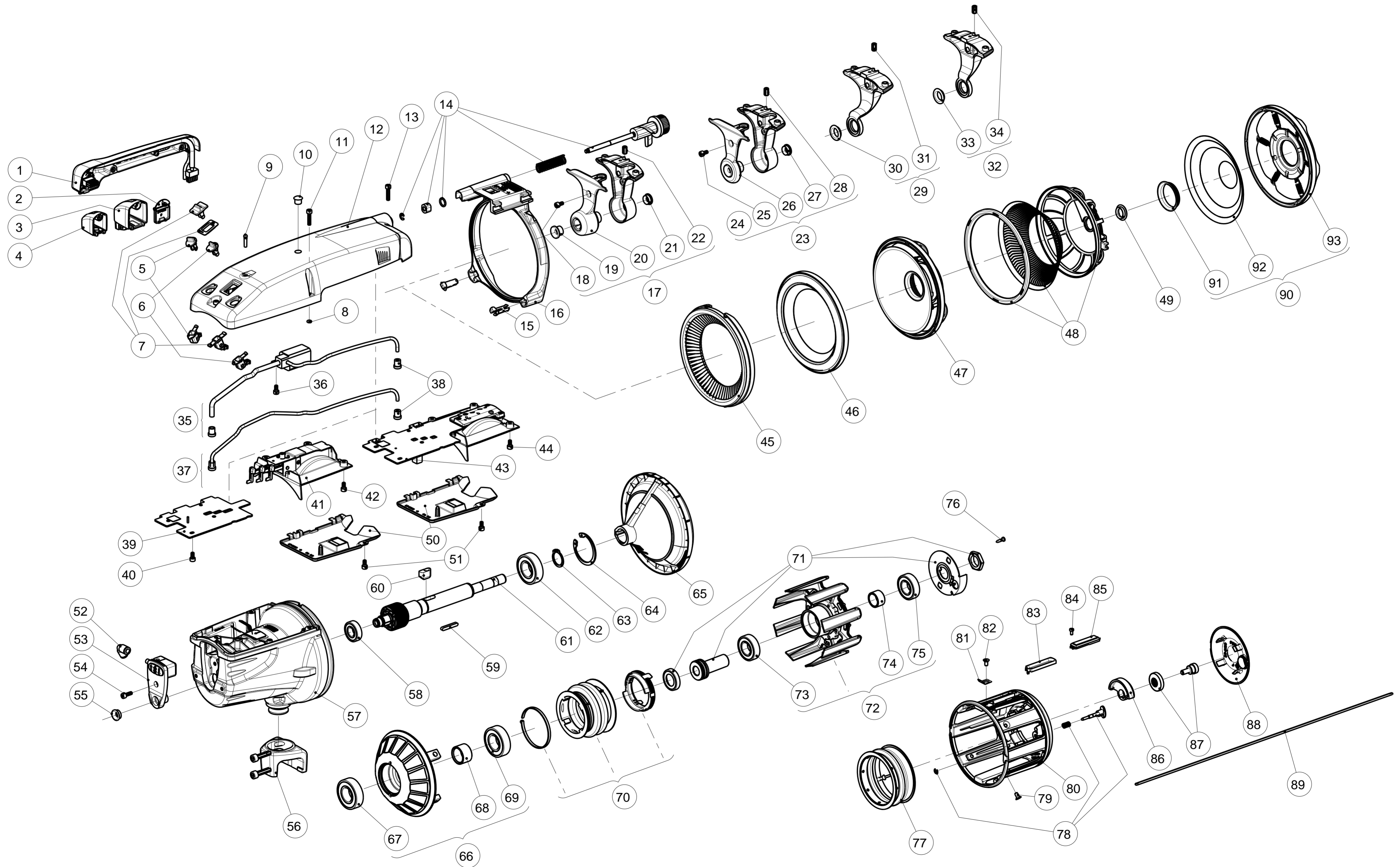


7027/7127 Luna X3 - Exploded view





Parts specific only to one model are identified with ☒ in the centre column.
Luna X3 Optical sensor = O.
Luna X3 Mechanical sensor = M.
Unmarked positions are common to all feeder models.

POS	PART NO	Cod. ROJ	DESCRIPTION	O	M	REMARKS
1	27.0893		CABLE CHANNEL			
2	24.0611		CABLE COVER			
3	24.0803.1750		CONNECTION CABLE			
3	24.0803.3000		CONNECTION CABLE			Not valid for CAN communication
3	24.0803.5000		CONNECTION CABLE			Not valid for CAN communication
4	24.0653		CABLE COVER ACCESSORIES			
5	24.0720		SWITCH s/z COMPL.			
6	24.0719		SWITCH max speed COMPL		☒	
7	24.0721		SWITCH on/off COMPL..			
8	900.9355		O-RING			
9	28.0041		LIGHT DUIDE			
10	900.9375		PLUG OPTO	☒		
11	900.0260		SCERW			
12	27.0824.000L		TOP COVER			
13	900.00260		SCREW			
14	27.0895		QUICK RELEASE COMPL.			
15	24.0605		SNAP IN CAGE			
16	27.0814		BRUSH HOLDER			
17	24.0590.001L		NOSE 30° COMPLETE			Full threading
17	24.0590.002L		NOSE 30° COMPLETE Polished			Full threading
18	900.0117		SCREW			
19	24.0591.001		EYELET			
19	24.0591.002		EYELET Polished			
20	24.0648.001		NOSE 30° COVER			Full threading
20	24.0648.002		NOSE 30° COVER Polished eyelet			Full threading
21	900.6163.001		EYELET			
21	900.6163.003		EYELET Polished			
22	900.0495		SCREW			
23	24.0590.004L		NOSE 42° COMPLETE Polished			Full threading
24	24.0591.001		EYELET			
24	24.0591.002		EYELET Polished			
25	900.0117		SCREW			
26	24.0649.001		NOSE 42° COVER			Full threading
26	24.0649.002		NOSE 42° COVER Polished eyelet			Full threading
27	900.6163.001		EYELET			
27	900.6163.003		EYELET Polished			
28	900.0495		SCREW			
29	24.0735.001L		NOSE 30°			Half and non-threading
29	24.0735.002L		NOSE 30° Polished eyelet			Half and non-threading
30	27.0479.001		EYELET			Half and non-threading
30	27.0479.002		EYELET Polished			Half and non-threading
31	900.0495		SCREW			
32	24.0585.001L		NOSE 42°			Half and non-threading
32	24.0585.002L		NOSE 42° Polished eyelet			Half and non-threading
33	27.0479.001		EYELET			Half and non-threading
33	27.0479.002		EYELET Polished			Half and non-threading
34	900.0495		SCREW			
35	27.0891		CYLINDER COMPLETE with air tube			
36	900.0117		SCREW			
37	25.0307.010		AIR TUBE WITH RUBBER NIPPLE			
38	27.0817		RUBBER NIPPLE			
39	09E00726R00		MOTOR CIRCUIT BOARD		☒	Stand alone
39	09E00726R10		MOTOR CIRCUIT BOARD		☒	Promatech
39	09E00726R20		MOTOR CIRCUIT BOARD		☒	Picanol
39	09E00726R30		MOTOR CIRCUIT BOARD		☒	Dornier



Parts specific only to one model are identified with □ in the centre column.

Luna X3 Optical sensor = O.

Luna X3 Mechanical sensor = M.

Unmarked positions are common to all feeder models.

POS	PART NO	Cod. ROJ	DESCRIPTION	O	M	REMARKS
39	09E00726R40				□	Sultex
39	09E00726R50				□	Van de Wiele
39	09E00726R60				□	Smit
39	09E00726R70				□	Jacob Müller Frick
40	900.0117		SCREW			
41	28.0054.001		SENSOR COMPLETE		□	Plasma coated version 28.0054.002
42	900.0117		SCREW			
43	09E00723R00		MOTOR CIRCUIT BOARD	□		Stand alone
43	09E00723R10		MOTOR CIRCUIT BOARD	□		Promatech
43	09E00723R20		MOTOR CIRCUIT BOARD	□		Picanol
43	09E00723R30		MOTOR CIRCUIT BOARD	□		Dornier
43	09E00723R40		MOTOR CIRCUIT BOARD	□		Sultex
43	09E00723R50		MOTOR CIRCUIT BOARD	□		Van de Wiele
43	09E00723R60		MOTOR CIRCUIT BOARD	□		Smit
43	09E00723R70		MOTOR CIRCUIT BOARD	□		Jacob Müller Frick
44	900.0117		SCREW			
45	27.0492.005		BRUSH SOFT, natural, straight.			
45	27.0492.105		BRUSH SOFT, natural, z-rotation.			
45	27.0492.205		BRUSH SOFT, natural, s-rotation.			
45	27.0492.002		BRUSH MEDIUM, natural, straight.			
45	27.0492.102		BRUSH MEDIUM, natural, z-rotation.			
45	27.0492.202		BRUSH MEDIUM, natural, s-rotation.			
45	27.0492.006		BRUSH MEDIUM, synthetic, straight.			
45	27.0492.106		BRUSH MEDIUM, synthetic, z-rotation.			
45	27.0492.004		BRUSH STIFF, synthetic, straight.			
45	27.0492.104		BRUSH STIFF, synthetic, z-rotation.			
46	27.0524.001		E-FLEX 30° SOFT			Black colour (Strip only = 27.0438.001)
46	27.0573.102		E-FLEX 30° MEDIUM			Blue colour (Strip only = 27.0438.002)
46	27.0585.002		E-FLEX 30° STIFF			Red colour (Strip only = 27.0438.002)
46	27.0585.103		E-FLEX 30° EXTRA STIFF			Grey colour (Strip only = 27.0438.004)
46	27.0596.001		E-FLEX 42° SOFT			Black colour (Strip only = 27.0541.001)
46	27.0596.102		E-FLEX 42° MEDIUM			Blue colour (Strip only = 27.0541.002)
46	27.0734.002		E-FLEX 42° STIFF			Red colour (Strip only = 27.0541.002)
47	54T00936		M-FLEX soft			Membran only 43E00091R
47	54T00937		M-FLEX medium			Membran only 43E00092R
48	54T00730		LAMELLA BRAKE, soft Z-rotation, Compl.			
48	54T00731		LAMELLA BRAKE, medium Z-rotation, Compl.			
48	54T00732		LAMELLA BRAKE, stiff Z-rotation, Compl.			
49	27.0479.001		EYELET			
50	27.0898		PROTECTION COVER			
51	900.0117		SCREW			
52	900.9296		AIR CONNECTION			
53	24.0617.001		AIR VALVE for threading			Full threading
53	24.0617.002		AIR VALVE for threading			Half threading
53	24.0617.011		AIR VALVE for threading polished			Full threading
53	24.0617.012		AIR VALVE for threading polished			Half threading
53	24.0633.001		COVER with eyelet			
53	24.0633.001		COVER with eyelet polished			
54	900.0218		SCREW			
55	900.6163.001		EYELET			
55	900.6163.003		EYELET polished			
56	24.0462		MOUNT COMPL.			
57	27.0915.000K		MOTOR COMPLET			
58	900.4061		BEARING			
59	900.9314		KEY			

