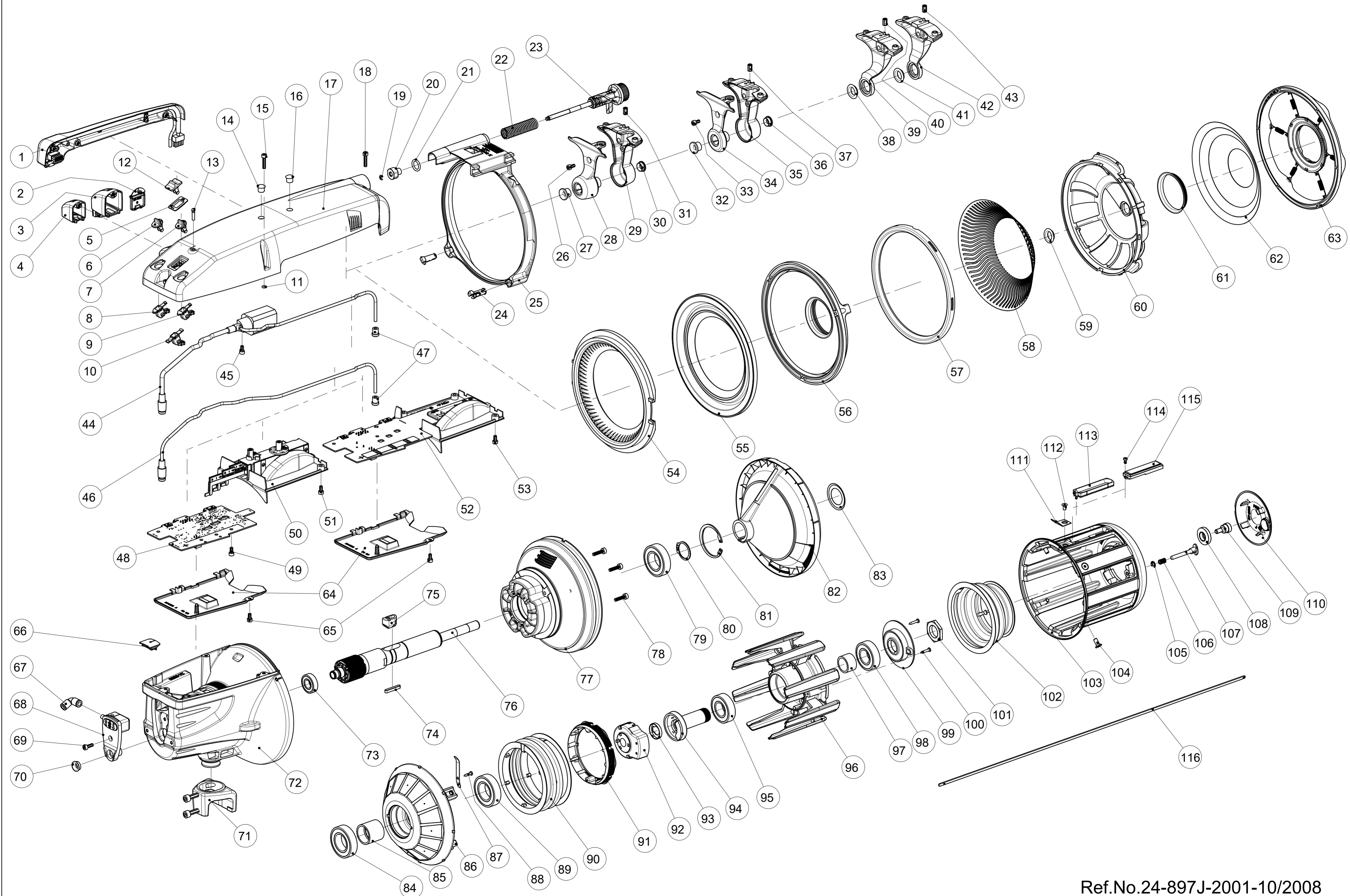


6024/6124 Chrono X3 - Exploded view





Parts specific only to one model are identified with □ in the valid column.
Chrono X3 Optical sensor = O.
Chrono X3 Mechanical sensor = M.
Unmarked positions are common to both feeder models.

POS	PART NO	DESCRIPTION	O	M	REMARKS
1	24.0652.001	CABLE CHANNEL			
2	24.0611	CABLE COVER			
3	24.0803.1750	CONNECTION CABLE			
3	24.0803.3000	CONNECTION CABLE			Not valid for CAN communication
3	24.0803.5000	CONNECTION CABLE			Not valid for CAN communication
4	24.0653.R	CABLE COVER ACCESSORIES			
5	24.0721.R	ON/OFF SWITCH Assembly kit			Incl. pos. 10, 12
6	24.0720.R	S/Z SWITCH Assembly kit			Incl. pos. 8
7	24.0719.R	SPEED SWITCH Assembly kit		□	Incl. pos. 9
7	900.5531	GROMMET	□		
8	24.0720.R	S/Z SWITCH Assembly kit			Incl. pos. 6
9	24.0719.R	SPEED SWITCH Assembly kit		□	Incl. pos. 7
10	24.0721.R	ON/OFF SWITCH Assembly kit			Incl. pos. 5, 12
11	900.9355	O-RING			Package of 10 pcs.
12	24.0721.R	ON/OFF SWITCH Assembly kit			Incl. pos. 5, 10
13	28.0041	LIGHT GUIDE			
14, 16	900.9375	PLUG	□		Package of 10 pcs.
15	900.0260	SCREW			Package of 10 pcs.
16, 14	900.9375	PLUG	□		Package of 10 pcs.
17	24.0796.000L	TOP COVER		□	
17	24.0796.001L	TOP COVER		□	
18, 31, 37, 40, 43	900.0495	SCREW			Package of 10 pcs.
19	900.9055	LOCKING WASHER			Package of 10 pcs.
20	24.0718	QUICK RELEASE Assembly kit			Incl. pos. 19, 21, 22, 23
21	900.9353	O-RING			Package of 10 pcs.
22	24.0718	QUICK RELEASE Assembly kit			Incl. pos. 19, 20, 21, 23
23	24.0718	QUICK RELEASE Assembly kit			Incl. pos. 19, 20, 21, 22
24	24.0605	SNAP IN CAGE			
25	24.0635.001	BRUSH HOLDER			Full threading. Incl. pos. 20 (nut only), 21, 24 Half threading and non-threading. Incl. pos. 20 (nut only), 21, 24
25	24.0635.002	BRUSH HOLDER			
26, 33, 45, 49, 51, 53, 65	900.0117	SCREW			Package of 10 pcs.
27, 32	24.0591.001	EYELET			Package of 10 pcs.
27, 32	24.0591.002	EYELET Polished			Package of 10 pcs.
28	24.0648.001.R	NOSE 30° COVER			Full threading. Incl. pos. 27
28	24.0648.002	NOSE 30° COVER Polished eyelet			Full threading. Incl. pos. 27
29	24.0590.001L	NOSE 30° COMPLETE			Full threading. Incl. pos. 26, 27, 28, 30, 31
29	24.0590.002L	NOSE 30° COMPLETE Polished			Full threading. Incl. pos. 26, 27, 28, 30, 31
30, 36	900.6163.001	EYELET			Package of 10 pcs.
30, 36	900.6163.003	EYELET Polished			Package of 10 pcs.
31, 18, 37, 40, 43	900.0495	SCREW			Package of 10 pcs.
32, 27	24.0591.001	EYELET			Package of 10 pcs.
32, 27	24.0591.002	EYELET Polished			Package of 10 pcs.
33, 26, 45, 49, 51, 53, 65	900.0117	SCREW			Package of 10 pcs.
34	24.0649.001	NOSE 42° COVER			Full threading. Incl. pos. 32
34	24.0649.002	NOSE 42° COVER Polished eyelet			Full threading. Incl. pos. 32
35	24.0590.003L	NOSE 42° COMPLETE			Full threading. Incl. pos. 32, 33, 34, 36, 37
35	24.0590.004L	NOSE 42° COMPLETE Polished			Full threading. Incl. pos. 32, 33, 34, 36, 37



Parts specific only to one model are identified with □ in the valid column.
Chrono X3 Optical sensor = O.
Chrono X3 Mechanical sensor = M.
Unmarked positions are common to both feeder models.

POS	PART NO	DESCRIPTION	O	M	REMARKS
36, 30	900.6163.001	EYELET			Package of 10 pcs.
36, 30	900.6163.003	EYELET Polished			Package of 10 pcs.
37, 18, 31, 40, 43	900.0495	SCREW			Package of 10 pcs.
38, 41	27.0479.001	EYELET			Half and non-threading. Package of 10 pcs.
38, 41	27.0479.002	EYELET Polished			Half and non-threading. Package of 10 pcs.
39	24.0735.001L	NOSE 30°			Half and non-threading. Incl. pos. 38, 40
39	24.0735.002L	NOSE 30° Polished eyelet			Half and non-threading. Incl. pos. 38, 40
40, 18, 31, 37, 43	900.0495	SCREW			Package of 10 pcs.
41, 38	27.0479.001	EYELET			Half and non-threading. Package of 10 pcs.
41, 38	27.0479.002	EYELET Polished			Half and non-threading. Package of 10 pcs.
42	24.0585.001L	NOSE 42°			Half and non-threading. Incl. pos. 41, 43
42	24.0585.002L	NOSE 42° Polished eyelet			Half and non-threading. Incl. pos. 41, 43
43, 18, 31, 37, 40	900.0495	SCREW			Package of 10 pcs.
44	24.0668	CYLINDER COMPLETE with air tube			For full threading brush ring push by air.
45, 26, 33, 49, 51, 53, 65	900.0117	SCREW			Package of 10 pcs.
46	24.0709	AIR TUBE WITH RUBBER NIPPLE			For full threading with quick release open
47	27.0817	RUBBER NIPPLE			
48	09E00681R0	MOTOR CIRCUIT BOARD		□	Stand alone
48	09E00681R1	MOTOR CIRCUIT BOARD		□	Promatech
48	09E00681R2	MOTOR CIRCUIT BOARD		□	Picanol
48	09E00681R3	MOTOR CIRCUIT BOARD		□	Dornier
48	09E00681R4	MOTOR CIRCUIT BOARD		□	Sultex
48	09E00681R5	MOTOR CIRCUIT BOARD		□	Van de Wiele
48	09E00681R6	MOTOR CIRCUIT BOARD		□	Smit
49, 26, 33, 45, 51, 53, 65	900.0117	SCREW			Package of 10 pcs.
50	24.0599.001	SENSOR COMPLETE		□	
50	24.0599.002	SENSOR COMPLETE Plasma coated		□	
51, 26, 33, 45, 49, 53, 65	900.0117	SCREW		□	Package of 10 pcs.
52	09E00680R00	MOTOR CIRCUIT BOARD incl. sensor	□		Wira, Stand alone
52	09E00680R10	MOTOR CIRCUIT BOARD incl. sensor	□		Promatech
52	09E00680R20	MOTOR CIRCUIT BOARD incl. sensor	□		Picanol
52	09E00680R30	MOTOR CIRCUIT BOARD incl. sensor	□		Dornier
52	09E00680R40	MOTOR CIRCUIT BOARD incl. sensor	□		Sultex
52	09E00680R50	MOTOR CIRCUIT BOARD incl. sensor	□		Van de Wiele
52	09E00680R60	MOTOR CIRCUIT BOARD incl. sensor	□		Smit
52	09E00680R00	MOTOR CIRCUIT BOARD incl. HS sensor	□		Wira, Stand alone
52	09E00680R10	MOTOR CIRCUIT BOARD incl. HS sensor	□		Promatech
52	09E00680R20	MOTOR CIRCUIT BOARD incl. HS sensor	□		Picanol
52	09E00680R30	MOTOR CIRCUIT BOARD incl. HS sensor	□		Dornier
52	09E00680R40	MOTOR CIRCUIT BOARD incl. HS sensor	□		Sultex
52	09E00680R50	MOTOR CIRCUIT BOARD incl. HS sensor	□		Van de Wiele
52	09E00680R60	MOTOR CIRCUIT BOARD incl. HS sensor	□		Smit
53, 26, 33, 45, 49, 51, 65	900.0117	SCREW	□		Package of 10 pcs.
54	24.0261.001	BRUSH SOFT, natural, z-rotation			



Parts specific only to one model are identified with □ in the valid column.
Chrono X3 Optical sensor = O.
Chrono X3 Mechanical sensor = M.
Unmarked positions are common to both feeder models.

POS	PART NO	DESCRIPTION	O	M	REMARKS
54	24.0261.201	BRUSH SOFT, natural, straight			
54	54T00774	BRUSH MEDIUM, natural, z-rotation			
54	54T00775	BRUSH MEDIUM, natural, s-rotation			
54	54T00773	BRUSH MEDIUM, natural, straight			
54	24.0261.004	BRUSH MEDIUM, synthetic, z-rotation			
54	24.0261.104	BRUSH MEDIUM, synthetic, s-rotation			
54	24.0261.204	BRUSH MEDIUM, synthetic, straight			
54	24.0261.005	BRUSH STIFF, synthetic, z-rotation			
54	24.0261.105	BRUSH STIFF, synthetic, s-rotation			
54	24.0261.205	BRUSH STIFF, synthetic, straight			
54	54T00783	BRUSH X-STIFF, synthetic, z-rotation			
54	54T00784	BRUSH X-STIFF, synthetic, s-rotation			
54	54T00782	BRUSH X-STIFF, synthetic, straight			
54	24.0261.007	BRUSH STIFF, synthetic, z-rotation			Ø110 mm. Recommend for fibreglass.
54	24.0261.107	BRUSH STIFF, synthetic, s-rotation			Ø110 mm. Recommend for fibreglass.
54	24.0261.207	BRUSH STIFF, synthetic, straight			Ø110 mm. Recommend for fibreglass.
55	24.0252.001	E-FLEX, SOFT			(Strip only = 24.0253.001)
55	24.0252.102	E-FLEX, MEDIUM			(Strip only = 24.0253.002)
55	24.0281.003	E-FLEX, STIFF			(Strip only = 24.0253.007)
55	24.0281.103	E-FLEX, EXTRA STIFF			(Strip only = 24.0253.007)
56	54T01059	M-FLEX, Soft			
56	54T01060	M-FLEX, Medium			
56	54T01061	M-FLEX, Stiff			
57	24.0702.001	LAMELLA BRAKE COMPL. soft, Z-rotation			Incl. pos. 58, 59, 60 + 34, 42
57	24.0702.002	LAMELLA BRAKE COMPL. medium, Z-rotation			Incl. pos. 58, 59, 60 + 34, 42
57	24.0702.003	LAMELLA BRAKE COMPL. stiff, Z-rotation			Incl. pos. 58, 59, 60 + 34, 42
58	24.0702.001	LAMELLA BRAKE COMPL. soft, Z-rotation			Incl. pos. 57, 59, 60 + 34, 42
58	24.0702.002	LAMELLA BRAKE COMPL. medium, Z-rotation			Incl. pos. 57, 59, 60 + 34, 42
58	24.0702.003	LAMELLA BRAKE COMPL. stiff, Z-rotation			Incl. pos. 57, 59, 60 + 34, 42
59	26A00057	EYELET			Package of 10 pcs.
60	24.0702.001	LAMELLA BRAKE COMPL. soft, Z-rotation			Incl. pos. 57, 58, 59 + 34, 42
60	24.0702.002	LAMELLA BRAKE COMPL. medium, Z-rotation			Incl. pos. 57, 58, 59 + 34, 42
60	24.0702.003	LAMELLA BRAKE COMPL. stiff, Z-rotation			Incl. pos. 57, 58, 59 + 34, 42
61+62+63	24.0699.101	S-FLEX soft			
61+62+63	24.0699.002	S-FLEX standard			
61+62+63	24.0699.003	S-FLEX stiff			
61	28E01049	LOCKING RING			
62	43E00088	CONE soft			
62	24.0727.001	CONE standard			
62	24.0727.002	CONE stiff			
63	24.0786.101	S-FLEX BRACKET soft			
63	24.0786.002	S-FLEX BRACKET standard			
63	24.0786.003	S-FLEX BRACKET stiff			
64	24.0603	PROTECTION COVER			
65, 26, 33, 45, 49, 51, 53	900.0117	SCREW			Package of 10 pcs.
66	27.0727	GROMMET			
67	900.9296	AIR CONNECTION			
68	24.0617.001	AIR VALVE for threading			Full threading
68	24.0617.002	AIR VALVE for threading			Half threading
68	24.0617.011	AIR VALVE for threading, polished eyelet			Full threading
68	24.0617.012	AIR VALVE for threading, polished eyelet			Half threading
68	24.0633.001	COVER with eyelet			
68	24.0633.011	COVER with eyelet, polished			



Parts specific only to one model are identified with □ in the valid column.
Chrono X3 Optical sensor = O.
Chrono X3 Mechanical sensor = M.
Unmarked positions are common to both feeder models.

POS	PART NO	DESCRIPTION	O	M	REMARKS
69	900.0218	SCREW			Package of 10 pcs.
70	900.6163.001	EYELET			Package of 10 pcs.
70	900.6163.003	EYELET polished			Package of 10 pcs.
71	24.0462	MOUNT COMPL.			
72	24.0898.001K.01	KIT - MOTOR COMPL.			Incl. pos. 73, 74, 75, 76, 77, 78, 79, 80, 81
72	24.0898.002K.01	KIT - MOTOR COMPL. Pol. rotor and eyelets			Incl. pos. 73, 74, 75, 76, 77, 78, 79, 80, 81
73	900.4061	BEARING			Package of 10 pcs.
74	900.9314	KEY			Package of 10 pcs.
75	900.6166	EYELET			Package of 10 pcs.
75	900.6166.001	EYELET, polished			Package of 10 pcs.
76	24.0899.001.01	KIT – ROTOR COMPL.			Incl. pos. 73, 74, 75, 79, 80, 81
76	24.0899.002.01	KIT – ROTOR COMPL., polished			Incl. pos. 73, 74, 75, 79, 80, 81
77	24.0578	MAGNET FLANGE			
78	900.0624	SCREW			Package of 10 pcs.
79, 84, 89	900.4065	BEARING			Package of 10 pcs.
80	900.9073	CIRCLIP			Package of 10 pcs.
81	900.9099	CIRCLIP			Package of 10 pcs.
82	24.0384.501	WINDING DISC COMPL.			
82	24.0384.502	WINDING DISC COMPL. Polished eyelet			
83	24.0116	WASHER			
84, 79, 89	900.4065	BEARING			Package of 10 pcs.
85	24.0058	SPACER			
86	24.0287	MAGNET RING COMPL WITH BELLOWS			Incl. pos. 84, 85, 87 - 91
86	24.0741.001	MAGNET RING COMPL.			Incl. pos. 84, 85, 87, 88, 89
87	24.0124	GROUND STRIP			
88	900.0479	SCREW			Package of 10 pcs.
89, 79, 84	900.4065	BEARING			Package of 10 pcs.
90	24.0726	BELLOWS COMPLETE			Incl. pos. 91, 100
91	24.0726	BELLOWS COMPLETE			Incl. pos. 90, 100
92	24.0725	COUNTER WIEGHT Assembly kit Chrono X3			Incl. pos. 93
93	24.0725	COUNTER WIEGHT Assembly kit Chrono X3			Incl. pos. 92
94	24.0724.002	INCLINED HUB Assembly kit, Chrono X3			Incl. pos. 99, 101
95, 98	900.4064	BEARING			Package of 10 pcs.
96	24.0141	TUMBLING CYLINDER Complete			Incl. pos. 95, 97, 98
97	24.0059	SPACER			
98, 95	900.4064	BEARING			Package of 10 pcs.
99	24.0724.002	INCLINED HUB Assembly kit, Chrono X3			Incl. pos. 94, 101
100	900.0585	SCREW			Package of 10 pcs.
101	24.0724.002	INCLINED HUB Assembly kit, Chrono X3			Incl. pos. 94, 99
102	24.0242	BELLOWS			
103	24.0237	SPOOL BODY			
104	900.0120	SCREW			Package of 10 pcs.
105	900.9058	LOCKING WASHER			Package of 10 pcs.
106	24.0723	S/Z BUTTON Assembly kit			Incl. pos. 105, 107
107	24.0723	S/Z BUTTON Assembly kit			Incl. pos. 105, 106
108	24.0722.R	WASHER Package and screw Chrono X2/X3			Incl. pos. 109
109	24.0722.R	WASHER Package and screw Chrono X2/X3			Incl. pos. 108
110	27.0160	COVER			
111	24.0244	YARN BREAK MIRROR	□		
112	900.0327.001	SCREW	□		Package of 10 pcs.
113	24.0245	INSERT		□	
114	900.0426	SCREW	□		Package of 10 pcs.
115	24.0422	REFLECTOR COMPL.	□		
116	24.0174	THREADING NEEDLE			